

# LED Step Light

**ER3003**  
INSTALLATION SHEET

## START FROM HERE

- Make sure power is completely off at the fuse box.
- Have your fixture installed by a qualified licensed electrician
- Prepare everything in a clear area.
- Wear gloves at all times during this installation.
- Read instructions carefully before you start assembly.
- Keep this instruction sheet for future reference.

**Technical Support:** 1-855-855-8926

## Please Note:

- All Kuzco LED fixture comes with pre-wired LED module(s).
- Unless instructed to do so, please do not touch any part of the LED module(s) as any unnecessary contact with the module could cause permanent damage.
- For dimming, an ELV (Electronic Low Voltage) type of dimmer is required.

- 1.** Remove the fixture from its original packaging. Remove the mounting plate **(1c)** from within the fixture **(1f)** by removing the two screws **(1g)**. Secure mounting plate **(1c)** to the electrical junction box **(1a)**, using the two screws **(1d)** provided in the hardware package.

**NOTE:** This fixture is to be used with a 1 Gang junction box suited for intended application with minimum inside dimensions of 3.5"H x 2"W and minimum depth of 2 3/4". A deeper junction box may be needed depending on hardware and type/amount of wires being used.

- 2.** Attach all wiring with the provided marrets **(1b)** (white to white "N", black to black "L", ground to ground "G"). Align the gasket **(1e)** provided before securing the fixture **(1f)** to the mounting plate **(1c)**. Align the fixture to the mounting plate **(1c)** and secure using the two screws **(1g)** provided.
- 3.** To prevent moisture from entering the outlet box and causing a short, seal around the top and side perimeter between the fixture and the wall surface with weather resistant caulking **(see illustration 1)**. The space at bottom should be left un-caulked to prevent moisture build-up.

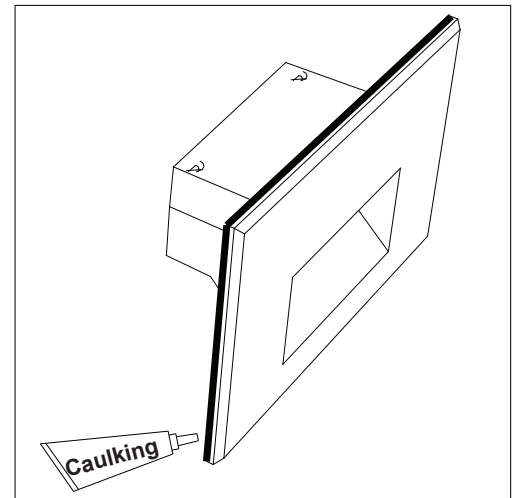
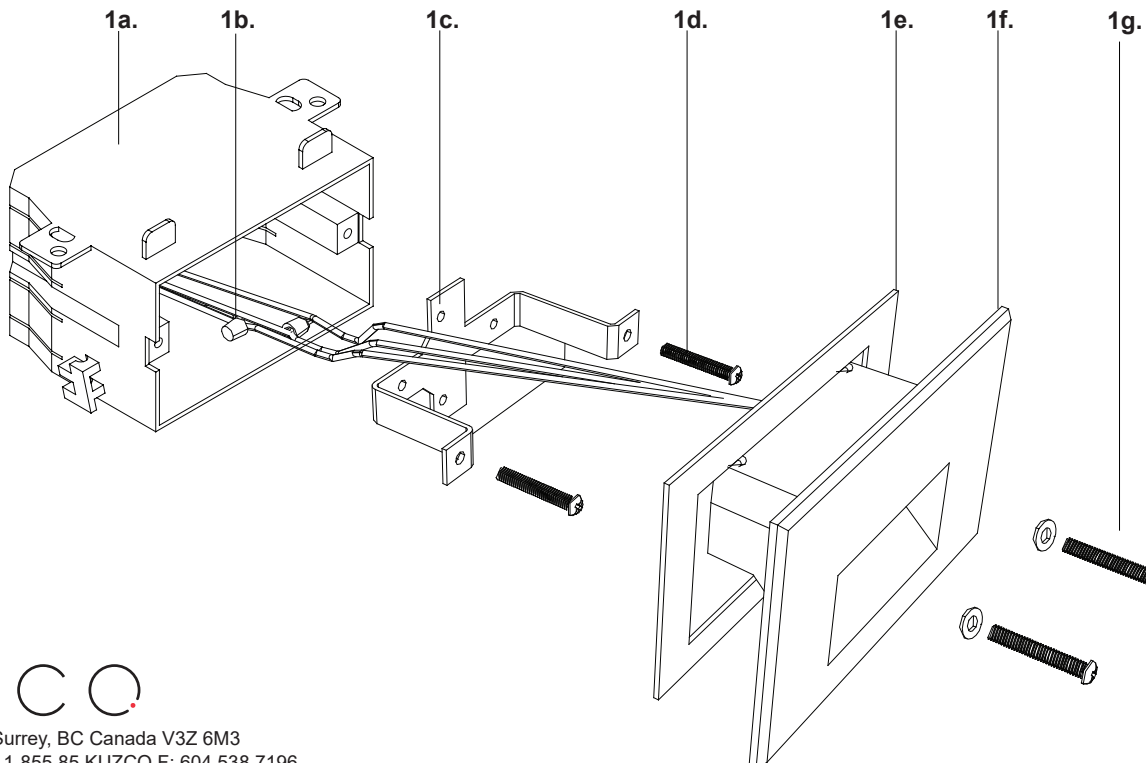


Illustration 1.



**KUZCO**

19054 28th Avenue Surrey, BC Canada V3Z 6M3  
T: 604 538 7162 TF: 1-855 85 KUZCO F: 604 538 7196  
W: kuzcolighting.com  
20191114